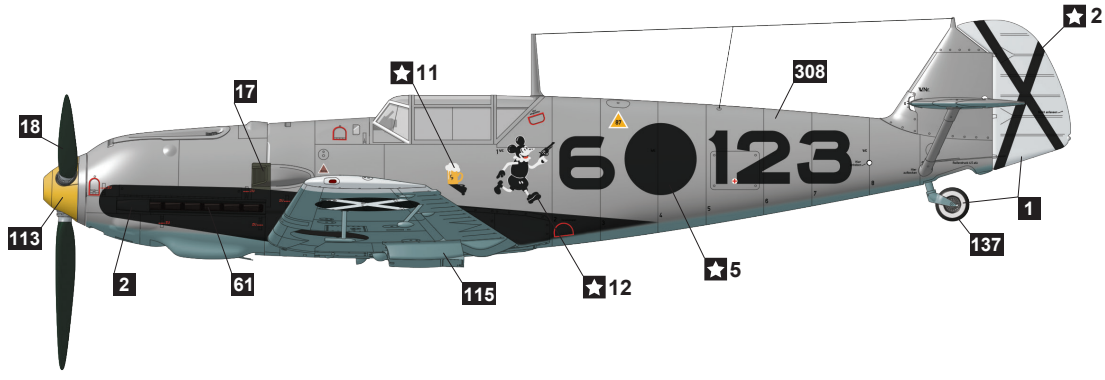
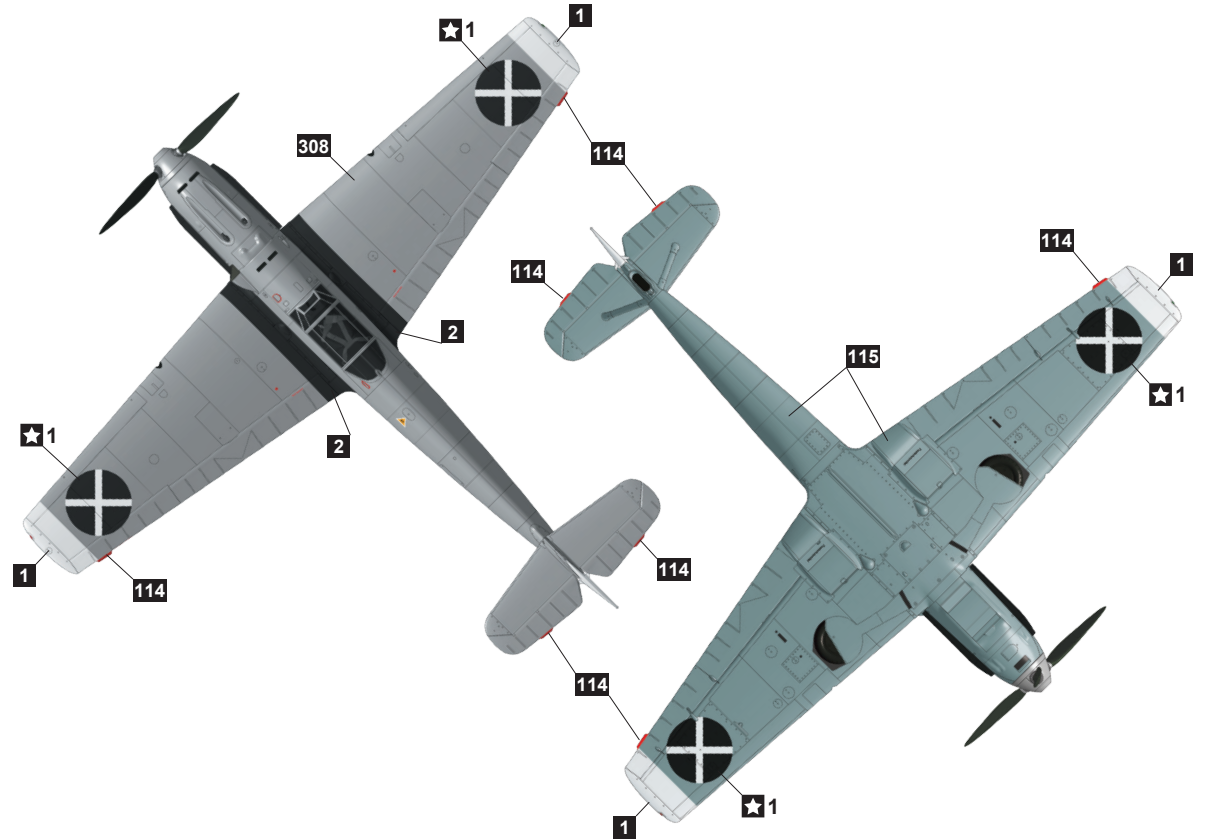
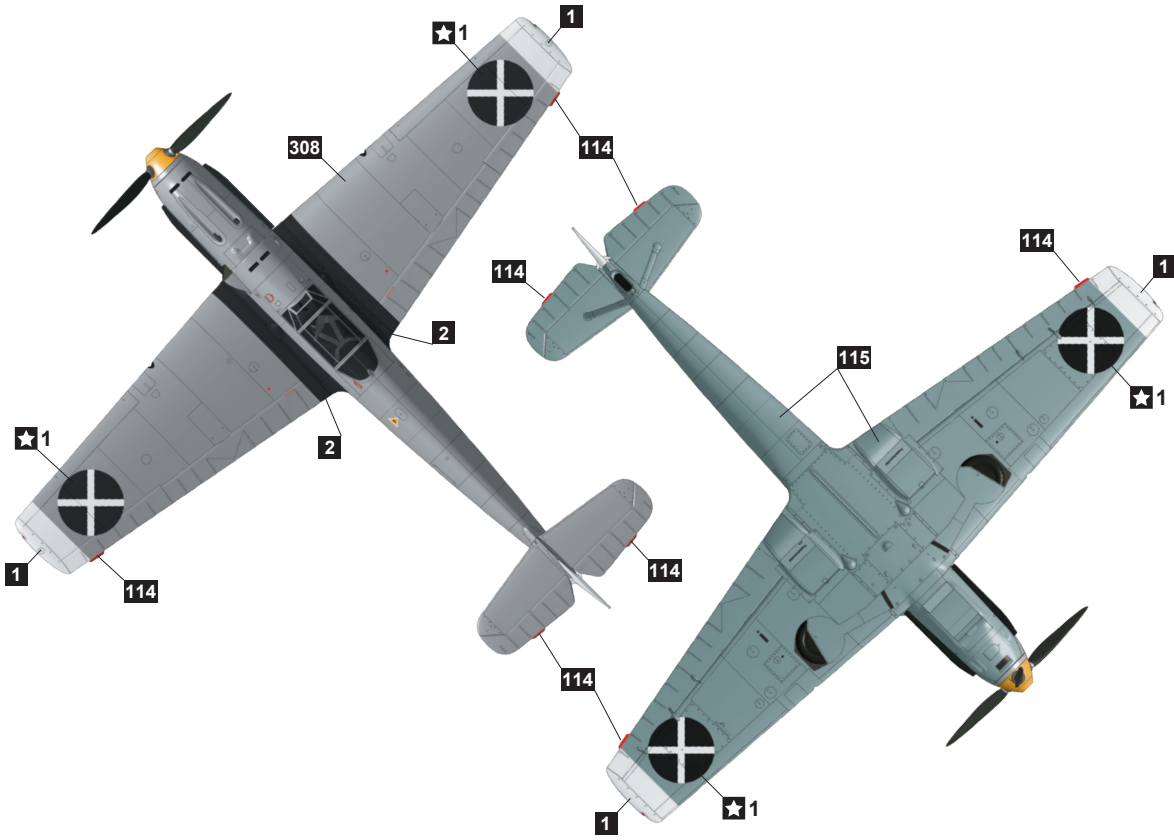
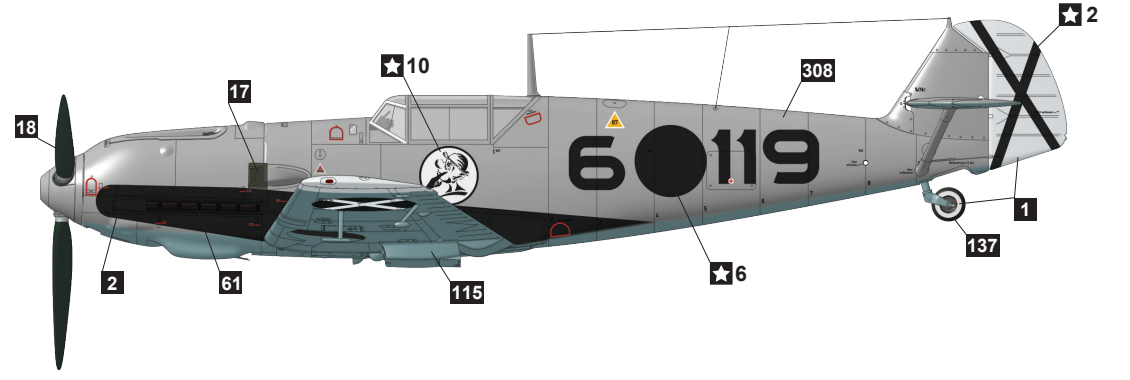


1 Messerschmitt Bf 109 E-1, 3. J/88
Oblt. Hans Schmoller-Haldy, Spain 1938.



2 Messerschmitt Bf 109 E-1, 1. J/88
Oblt. Siebelt Reents, Spain 1939.

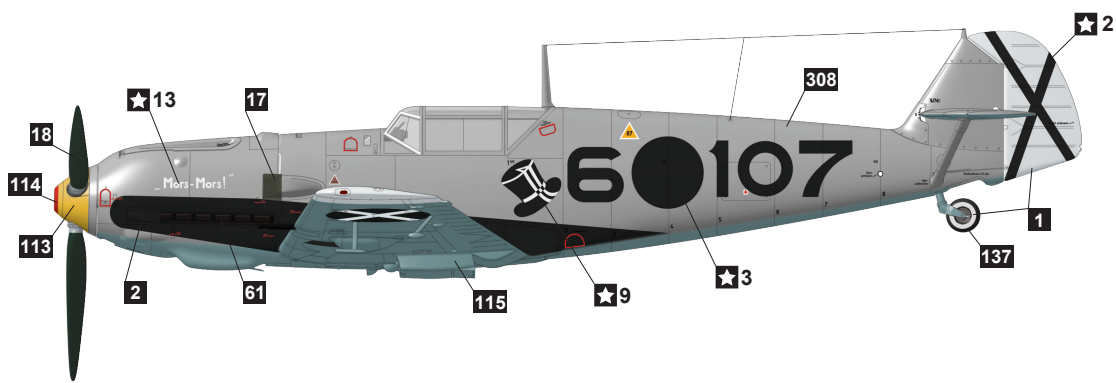


1	H 1	2	H 2	17	H 64	18	H 65	115	H 67	114	H 414	113	H 413	308	H 308	61	H 76
RLM 21 Weiß		RLM 22 Schwarz		RLM 71 Dunkelgrün		RLM 70 Schwarzgrün		RLM 65 Hellblau		RLM 23 Rot		RLM 04 Gelb		RLM 63 Hellgrau		Burnt Iron	

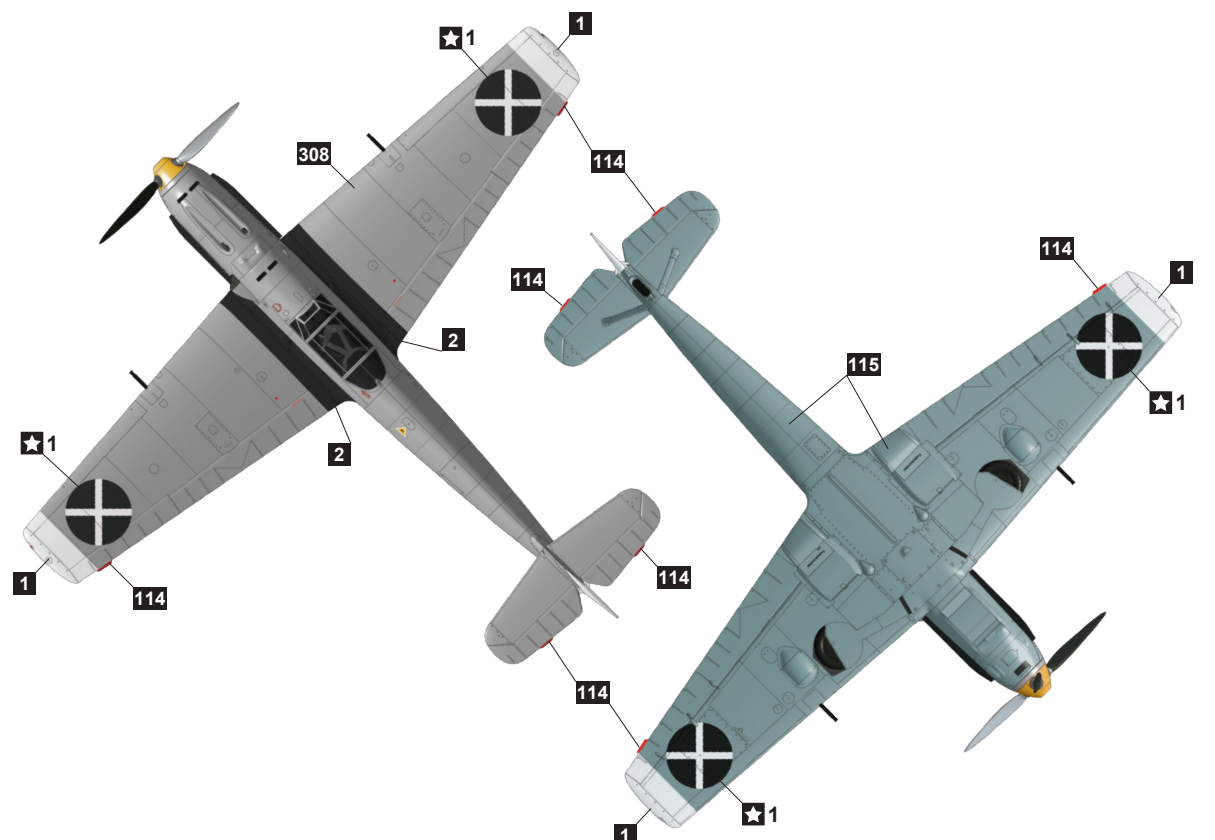
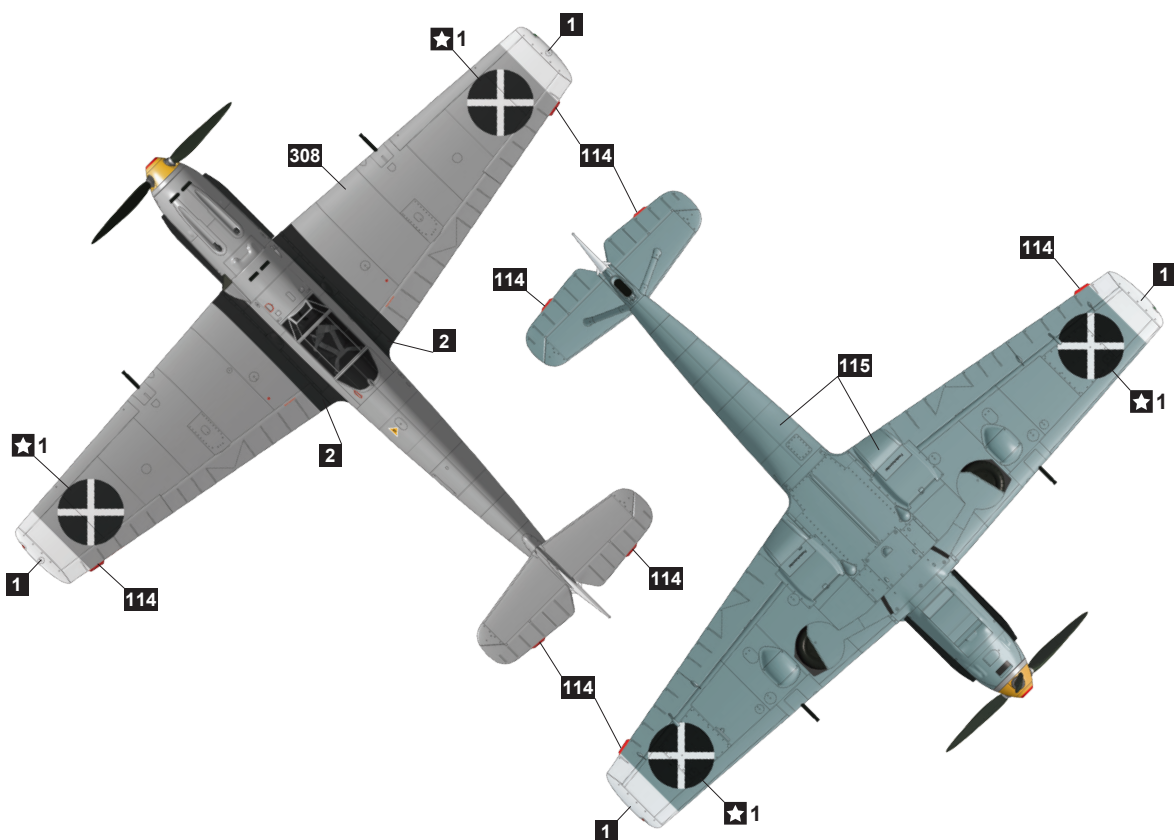
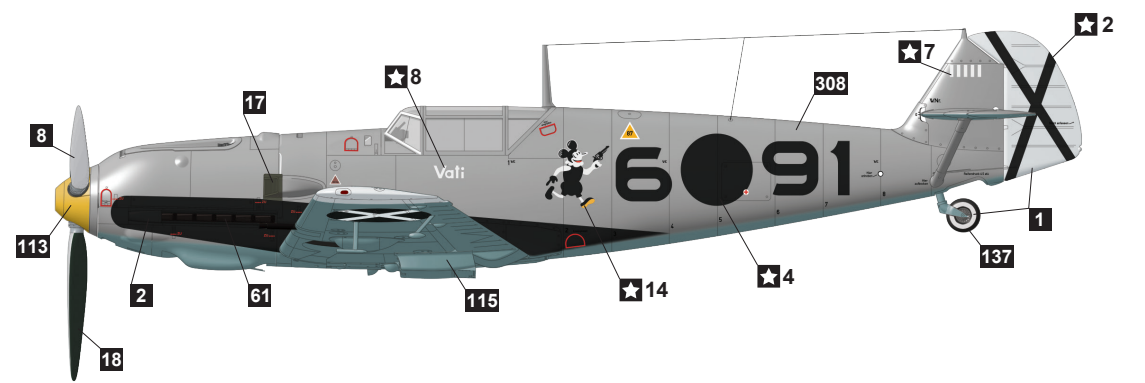
H in painting indication is the number of Gunze Sangyo Aqueous Hobby Color, while 1 is that of Mr. Color. Glue and paints is not included in this kit.

© 2021 Wingsy Kits. Printed in Ukraine

3 Messerschmitt Bf 109 E-3, 2. J/88
Catalunya, Spain 1939.



4 Messerschmitt Bf 109 E-3, 3. J/88
Uffz. Herbert Schob, Barcience, Spain 1939.



1	H 1	2	H 2	17	H 64	18	H 65	115	H 67	114	H 414	113	H 413	308	H 308	61	H 76
RLM 21 Weiß		RLM 22 Schwarz		RLM 71 Dunkelgrün		RLM 70 Schwarzgrün		RLM 65 Hellblau		RLM 23 Rot		RLM 04 Gelb		RLM 63 Hellgrau		Burnt Iron	

H in painting indication is the number of Gunze Sangyo Aqueous Hobby Color, while 1 is that of Mr. Color. Glue and paints is not included in this kit.

© 2021 Wingsy Kits. Printed in Ukraine